

For detailed video installation instructions, please go to: www.unex.com/products/roller-rack

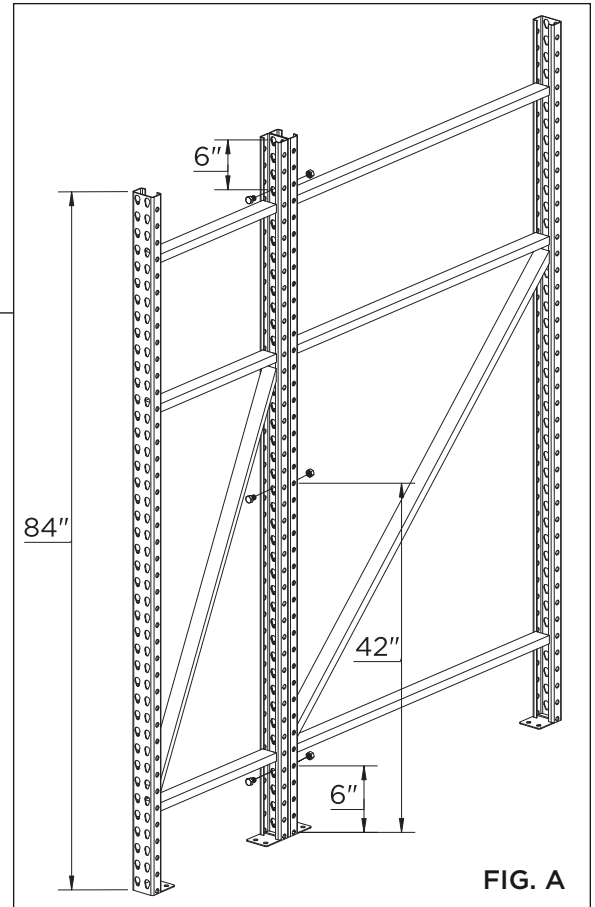
- Quick and easy install
- Speed pick rates & free up space
- Standalone units or rows of carton flow
- Robust unit made of 14 gauge steel

Tools - 1 - 3/4" Socket with Extension

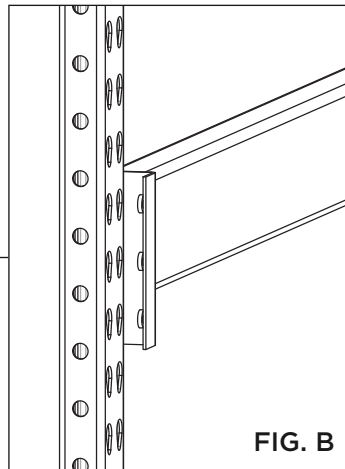
Hardware - 3-OF18 1/2" Bolt
3-OF67 1/2" NUT

1 SECURE UPRIGHTS
6' & 8' Units utilize attached uprights (FIG. A)
4' Units are standalone and you can proceed to #2

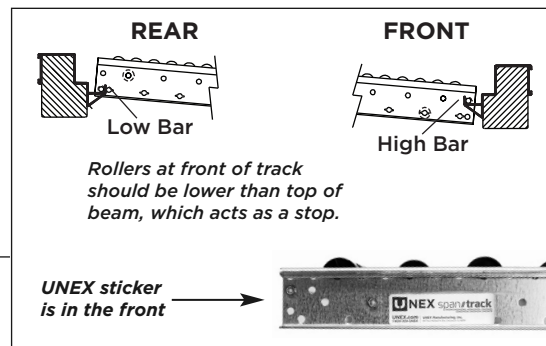
Align uprights back to back with diagonal slant facing the front of the Roller Rack. Uprights are to be bolted in 3 locations as shown in (FIG. A).



2 SET BEAMS
Set front Roller Rack Beam to desired discharge elevation. Listen for the safety clip to click. Set rear beam at higher elevation for flow. Recommended pitch is 1 inch per foot.



3 DROP IN HANGERS & TRACKS
Place one set of hangers on front and rear beams - do not force or hammer hangers onto beam. Note that front of track has a high hanger bar and rear of track has a low hanger bar.



4 Test PITCH
Test installed track section for product flow to determine if rear beam needs readjustment for effective pitch.

IMPORTANT: Track section to be tested should be loaded and allowed to sit for 24 hours. Then remove cartons at pick face and check for resulting flow. This is the most reliable way to ensure proper flow for your particular products and storage environment.