

DYNAMIC
STORAGE
FOR PALLET
POSITIONS

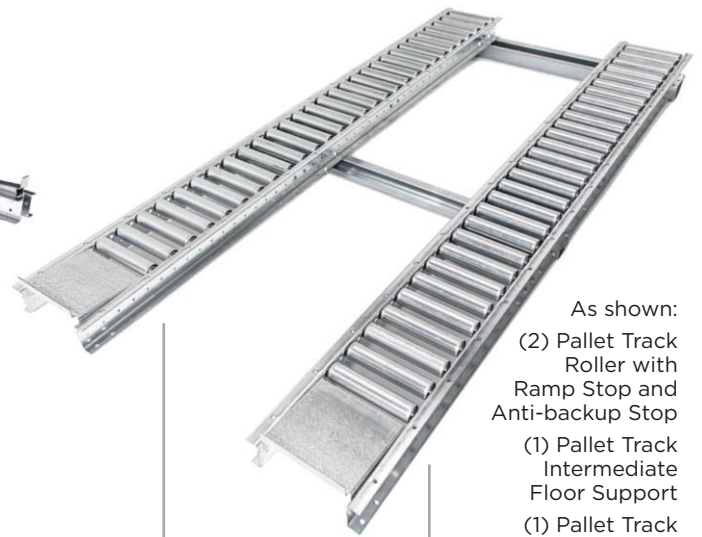


As shown:

(2) Pallet Track Staggered Wheel with Ramp Stop and Anti-backup Stop

(1) Pallet Track Intermediate Floor Support

(1) Pallet Track Rear Floor Support



As shown:

(2) Pallet Track Roller with Ramp Stop and Anti-backup Stop

(1) Pallet Track Intermediate Floor Support

(1) Pallet Track Rear Floor Support

Pallet Track Features & Benefits

- Creates a “First-In First-Out” (FIFO) storage system. Product is loaded from the rear and removed from the front.
- Can be floor mounted or supported by pallet rack beams
- Available in lengths from 48” to 144” in 1” increments
- Increases storage density
- Increases efficiency
- Reduces fork truck operations
- Reduces labor costs
- Reduces damage
- Green — no energy consumption

Wheel Track Features & Benefits

- Staggered wheel type flow rail is commonly used to handle “wrong way” GMA style wooden pallets (with bottom boards perpendicular to flow)
- Rails can be used in 2 or 3 track configurations
- 2-deep pallet storage lanes come complete with ramp stops at discharge end to allow pallet to come to a controlled stop
- Available options include anti-backup stops and floor-mount supports
- Available in custom track lengths

Roller Track Features & Benefits

- Roller pallet track works well when handling:
 - Single face pallets (no bottom boards, with 2 or 3 stringers)
 - Euro style pallets with bottom boards parallel to flow
 - Plastic pallets with feet
 - Heavier loads because they provide high load capacity per roller and greater contact area
- Track configuration of 2 or 3 tracks per pallet position
- 2-deep pallet storage lanes come complete with full-width ramp stops at discharge end to allow pallet to come to a controlled stop
- Available options include floor supports, special end treatments for attaching to rack beams
- Available in custom track lengths



PART NUMBER EXAMPLE - PALLET TRACK

PT	MRS or SW	1.5 or 3	x96
SERIES	ROLLER TYPE	ROLLER CENTERS	TRACK LENGTH

Wheel Rail Specifications

- Standard 2-1/2" x 1" x 12 gauge galvanized channel
- Frame capacity of 210 lbs per ft when supported on 48" centers
- 1-1/2" staggered wheel centers provide maximum support and minimize indentation in wood pallets
- 1.9" diameter steel wheels on 1/4" diameter axle are rated at 100 lbs capacity each

8 FOOT PALLET TRACK WHEEL

CONFIGURATION	CAPACITY
2 Rail	3360 lbs
3 Rail	5040 lbs

Capacity shown based on 96" long rail.
210 lbs per ft, per rail at 48" unsupported

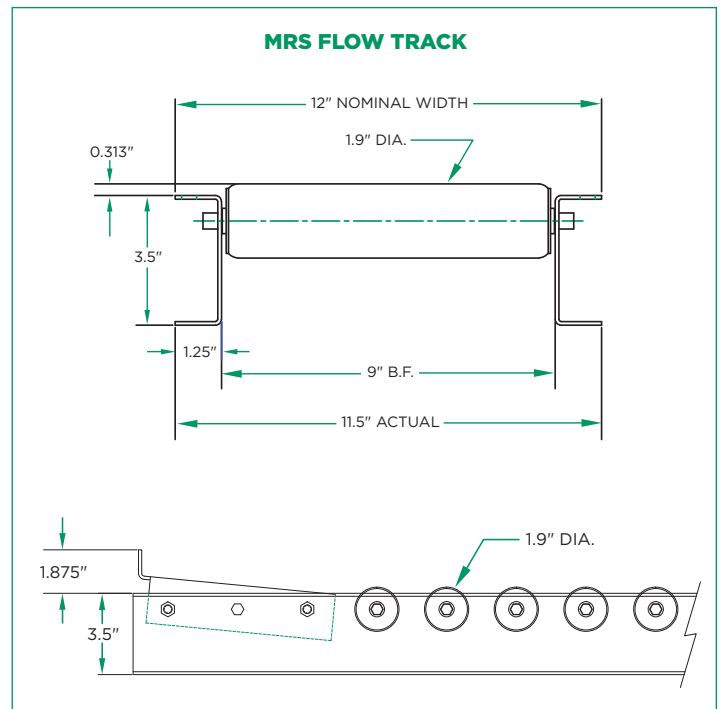
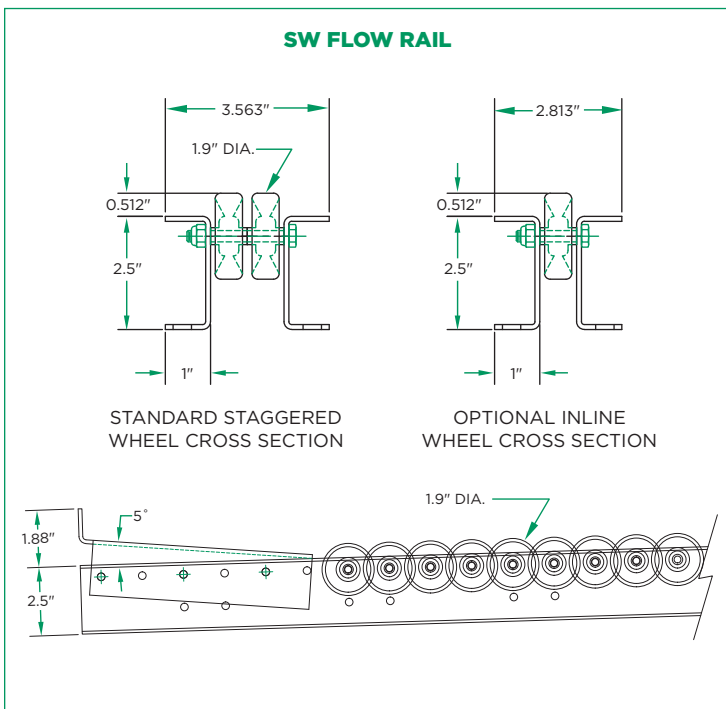
Roller Specifications

- Standard 3-1/2" x 1-1/4" x 12 gauge galvanized steel channel
- Frame capacity of 500 lbs per ft when supported on 48" centers
- Optional roller centers from 2" and up, depending on load
- 1.9" x 16 gauge galvanized steel roller with 7/16" hex axle is rated at 170 lbs capacity each

8 FOOT PALLET TRACK ROLLER

CONFIGURATION	CAPACITY
2 Track	8000 lbs
3 Track	12000 lbs

Capacity shown based on 96" long rail.
500 lbs per ft, per rail at 48" unsupported

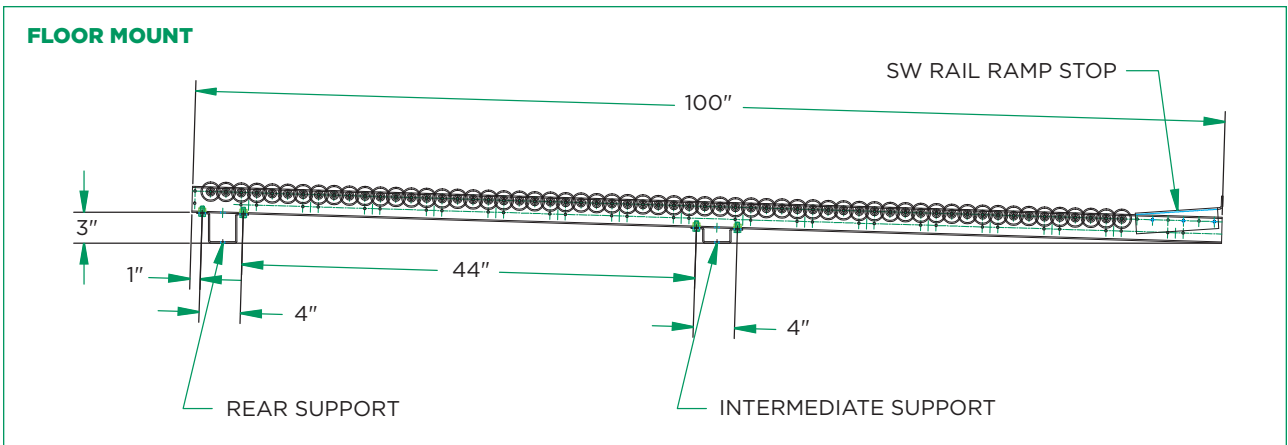
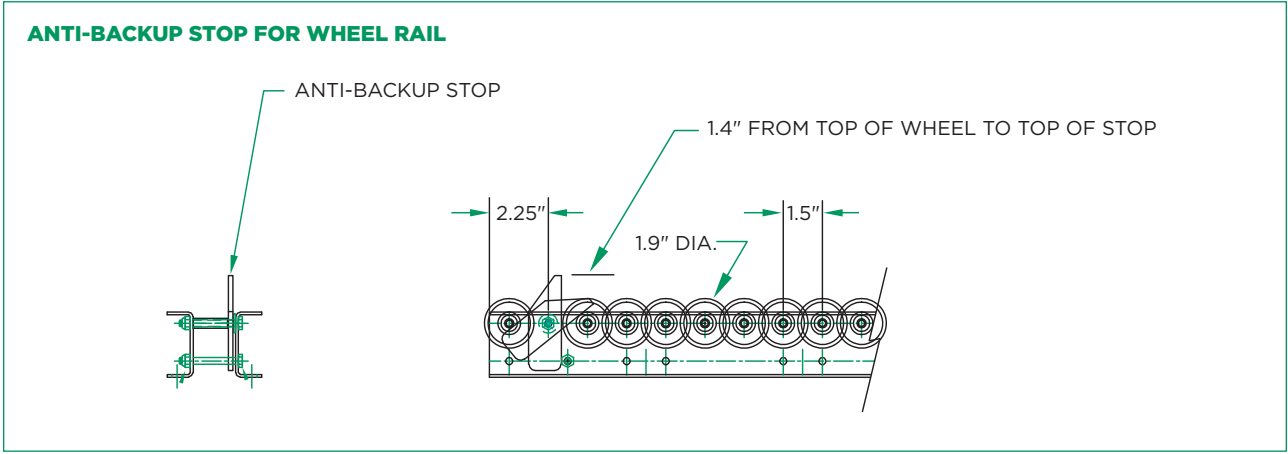




Floor Mount
Adds pitch for floor mounted applications



Anti-backup Stop
For wheel rail - Prevents pallets from falling off back



Approximately 3/8" per foot pitch