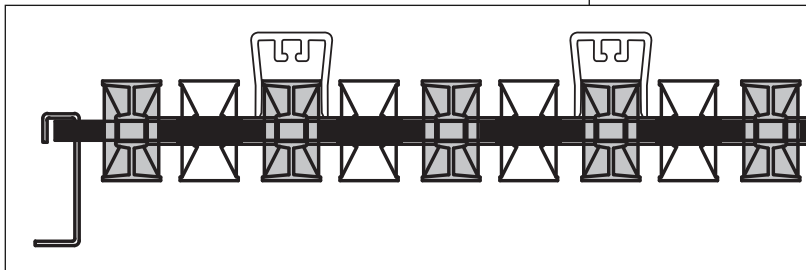
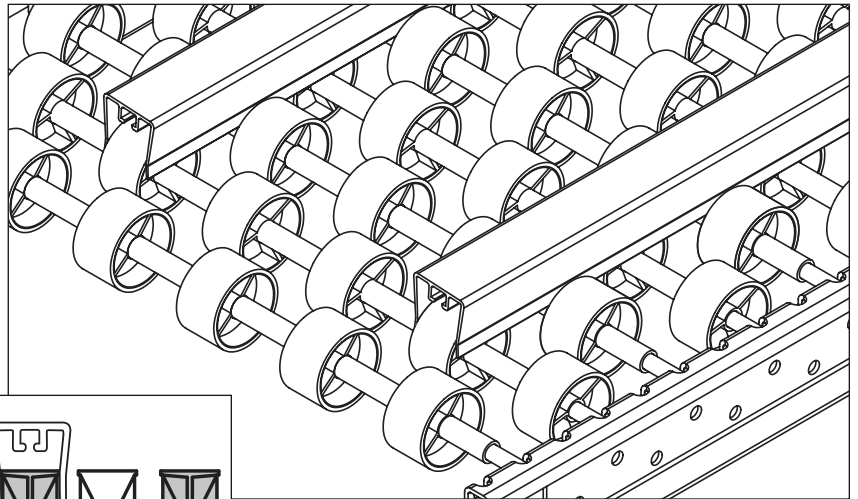


Suggested configuration

- 1** Guard rail securely snaps on over wheels.



For Best Results:

When installing Guardrail on lower levels, ensure the Guardrail is inset from the edge of the charge end. This will make it easier for loaders to lift and place boxes into the desired lane.

When installing Guardrail on higher levels, ensure the end of the Guardrail is visible at the edge of the charge end. This will provide the loader a visual cue of where to place the box.

