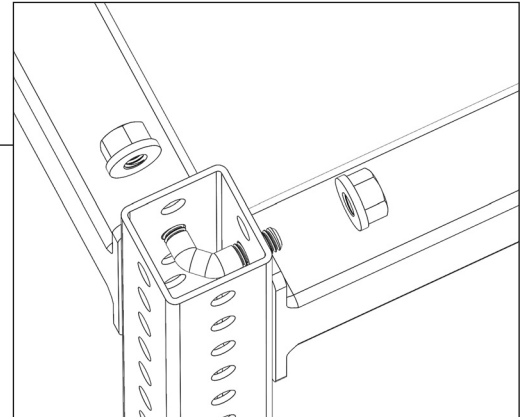


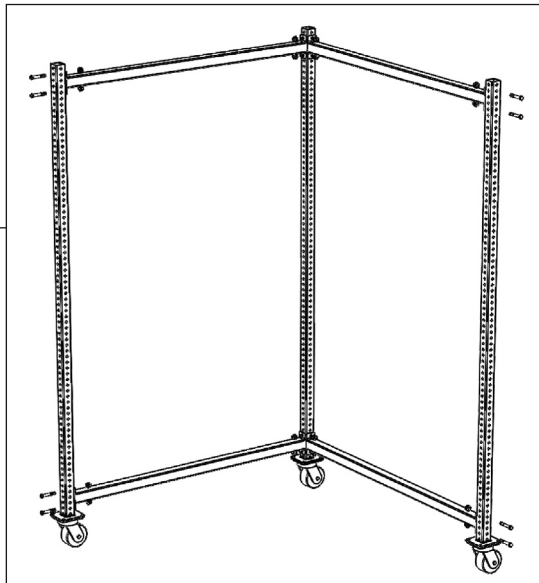
A FlowCell partition **Temperature Screening Station** consists of 3 vertical Posts & 4 horizontal Beams (**FlowCell Structure**) bolted together. (hardware included)—only one wrench size (9/16") is required.

1 FLOWCELL STRUCTURE

Attach Beams (4) to center post with corner bolts. Leave one open hole on the top and the bottom.



2 Attach side posts (2) to beams with bolts as shown, leaving one open hole top & bottom.

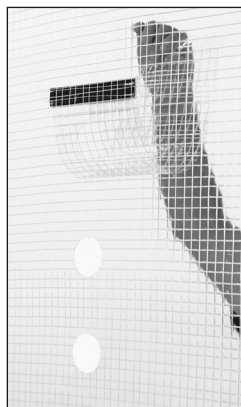
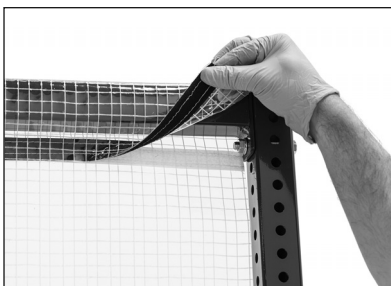


3 **CASTERS**
Attach casters to foot plates.



4 SIDE SCREENS

Install screens from the inside, starting at the top. Secure with hook & loop. Secure sides with hook & loop straps. Attach flaps over temperature screening ports on both sides.



Finished Temperature Screening Station